

JAMES BAROUD

EN USER GUIDE

FR Guide de L'utilisateur

DE Benutzerhandbuch

ES Guía del usuario

PT Guia de utilizador

▲ IMPORTANT

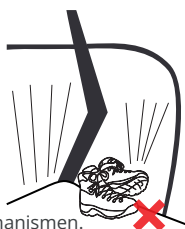
EN When closing the tent fold the bedclothes in the corners and do not place any object under the arms of the mechanisms.

FR Avant de fermer la tente plier le linge de lit dans les coins et ne placez aucun objet sous les bras des mécanismes.

DE Beim Schließen des Zeltes klappen Sie die Bettwäsche zusammen in den Ecken und legen Sie keine Gegenstände unter die Arme der Mechanismen.

ES Antes de cerrar la tienda doblar la ropa de cama en las esquinas y no coloque objetos bajo los brazos de los mecanismos.

PT Antes de fechar a tenda, dobrar a roupa de cama nos cantos e não colocar objetos debaixo dos braços dos mecanismos.



JAMES BAROUD WARRANTY



5 YEARS WARRANTY - It includes the ABS, the mechanism, the canvas, the lift supports, the ladder and its fixings, the zippers, the mosquito net, the mattress, the rail and fixings, the headliner of the upper shell.

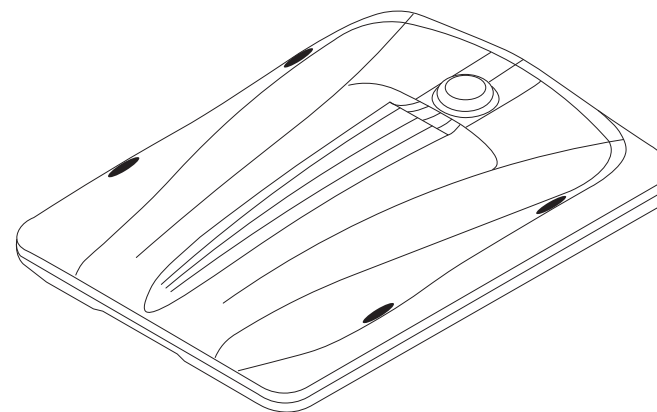
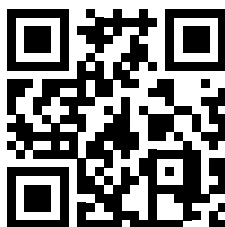
2 YEARS WARRANTY - It includes the color, the extractor, the flashlight, the tent locks.

In case of request of warranty support, the invoice will be requested, and photos or a film about the problem should be sent to: warranty@jamesbaroud.com. In warranty claims the tent should be packed in the original box to be transported. In the case of litigation or contestation the court of Porto, Portugal have jurisdiction.

READ MORE ON

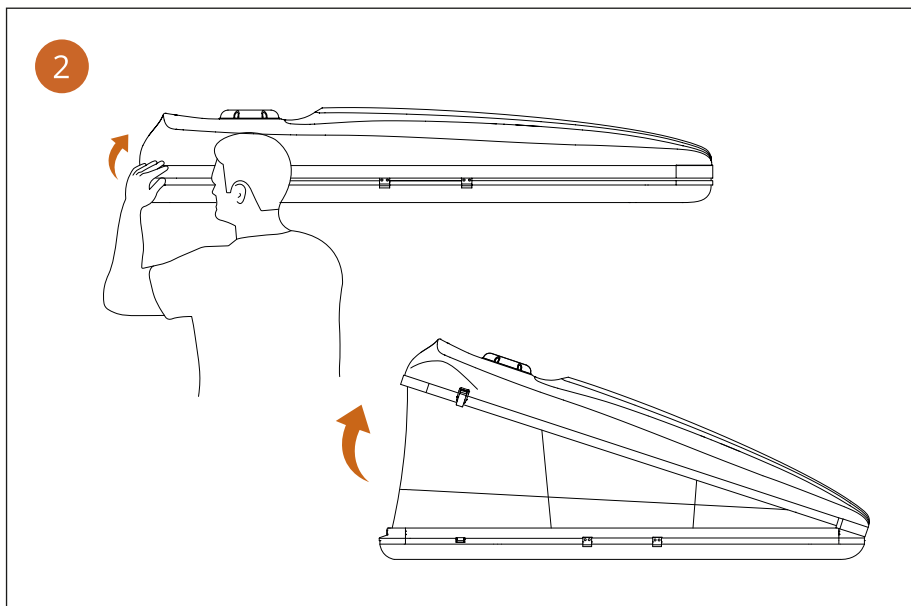
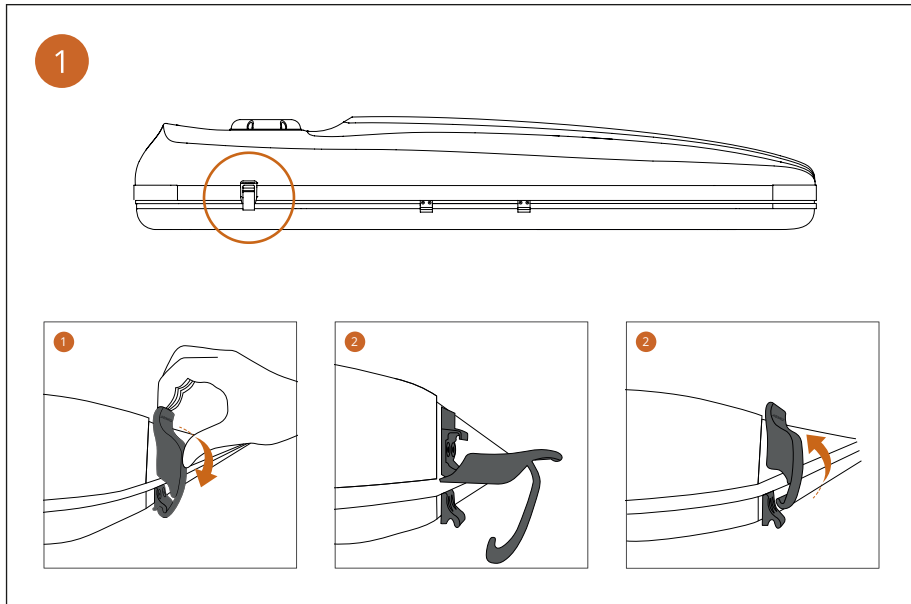
jamesbaroud.com

@jamesbaroudofficial



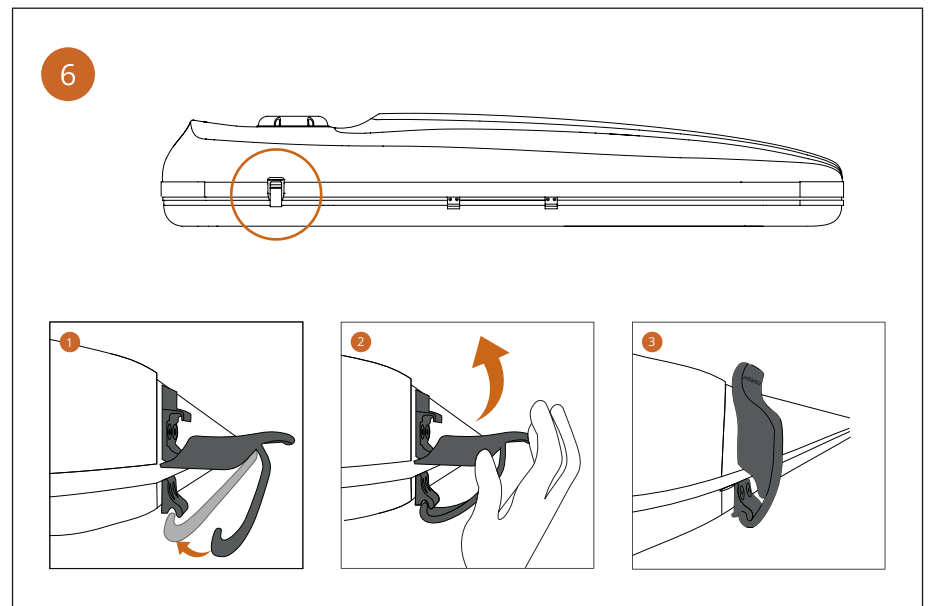
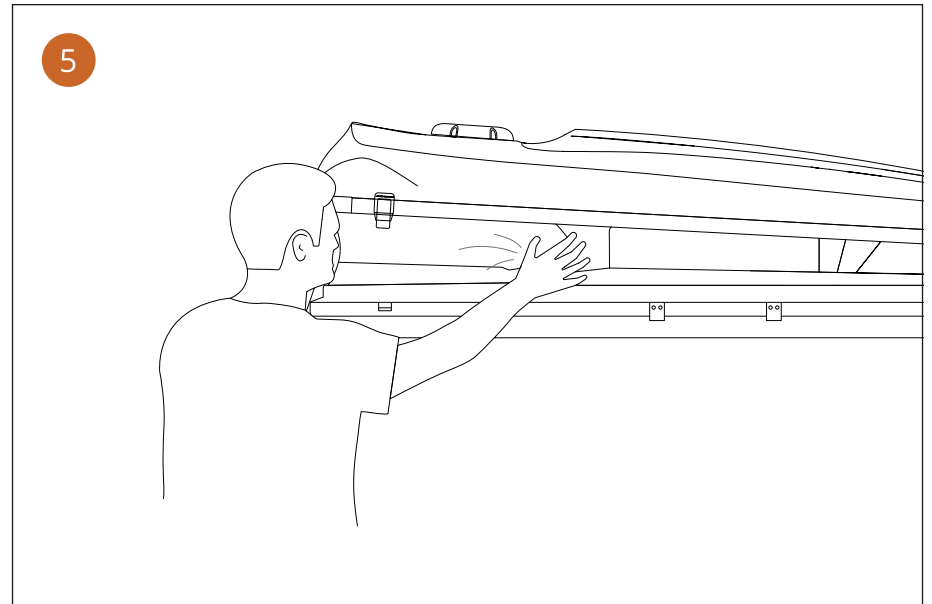
Odyssey

OPEN



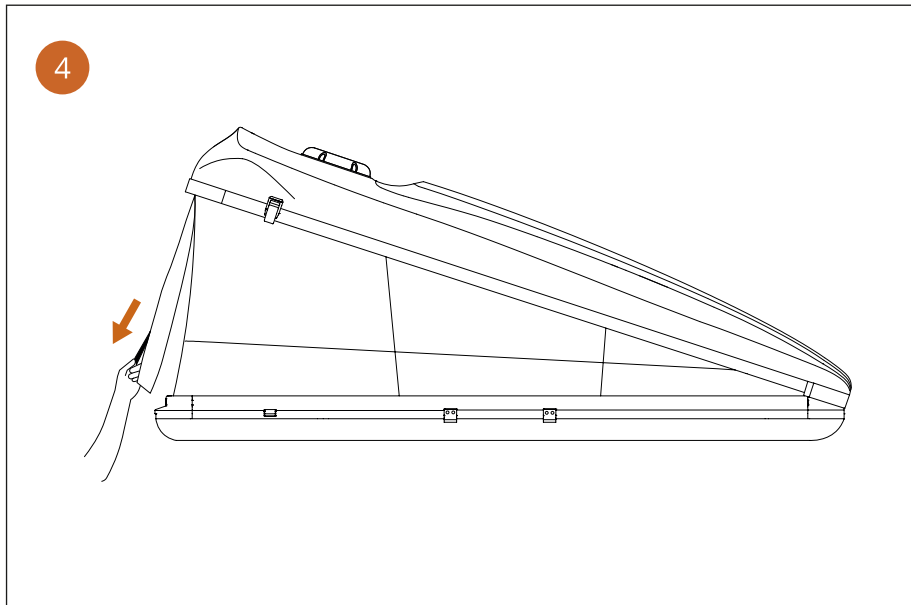
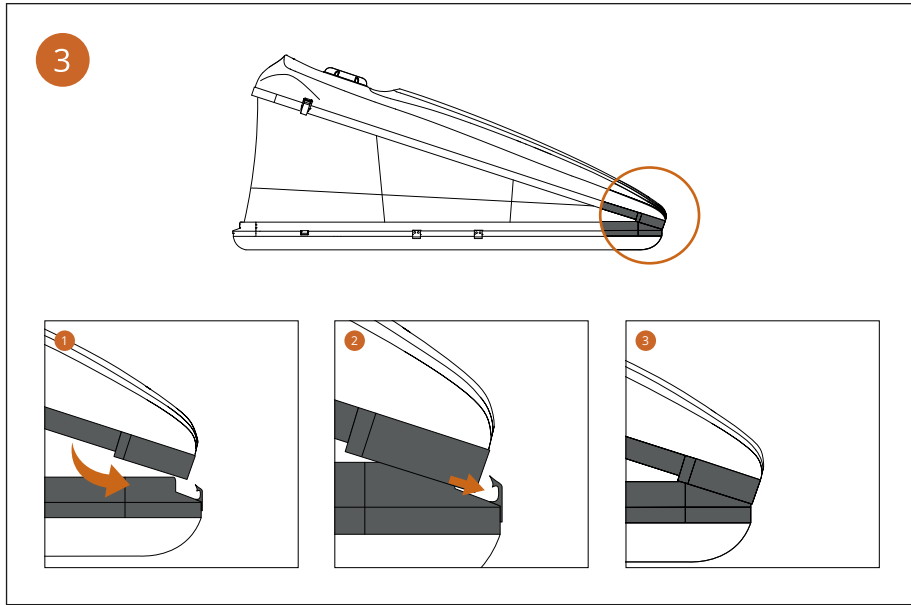
1

CLOSE



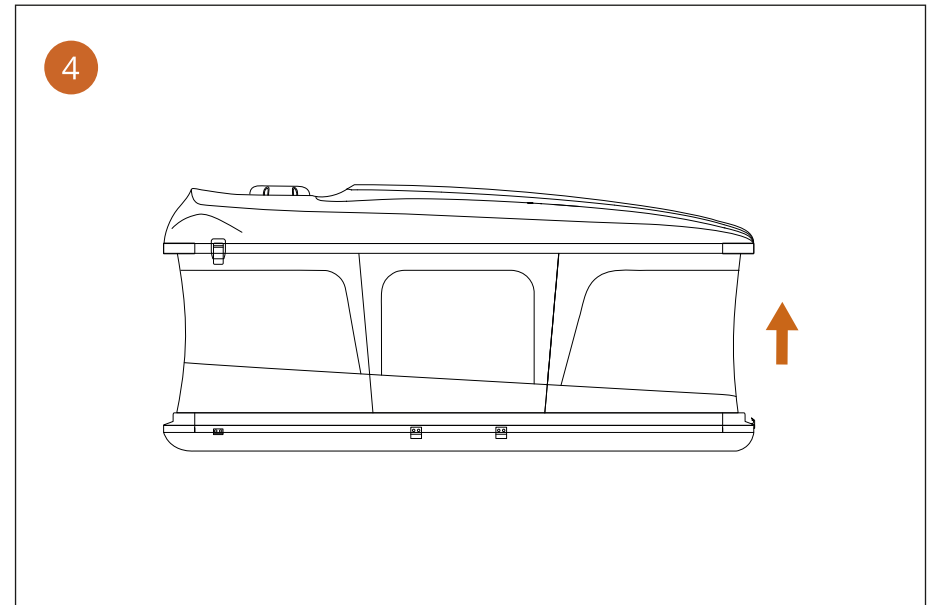
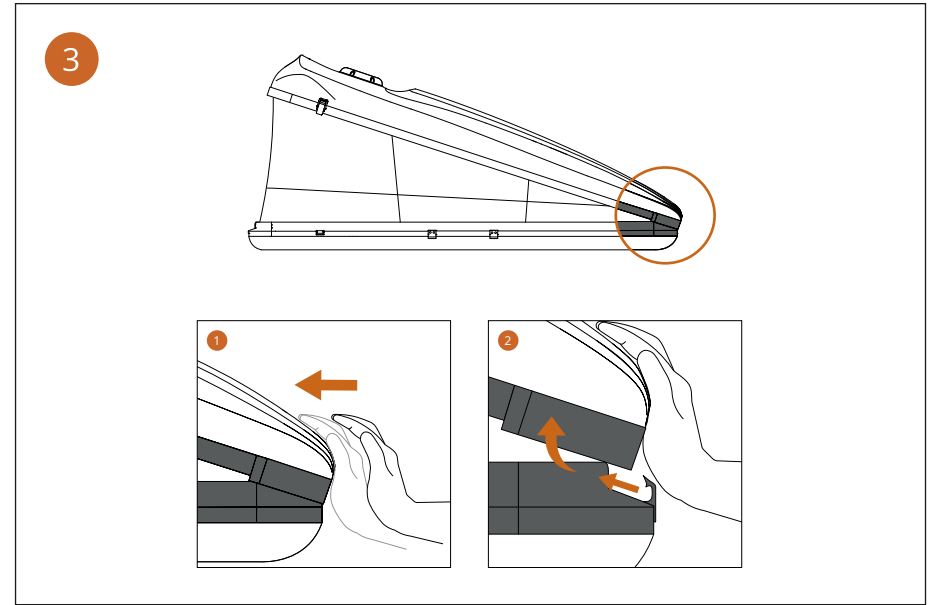
6

CLOSE



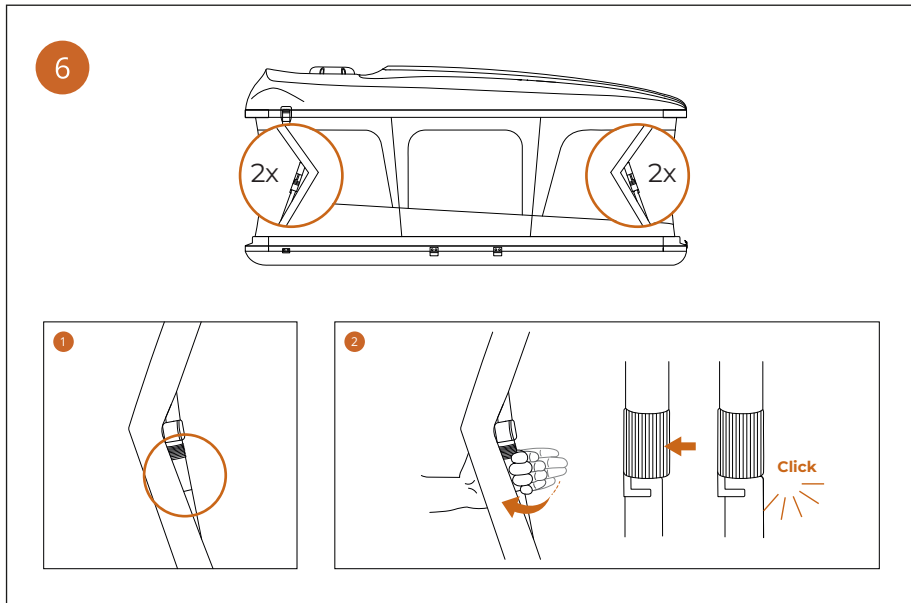
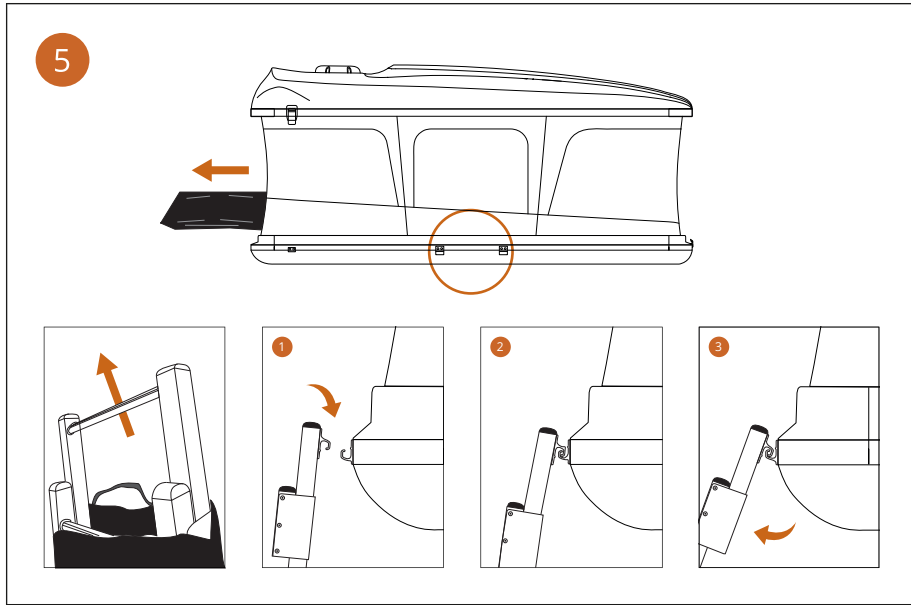
5

OPEN



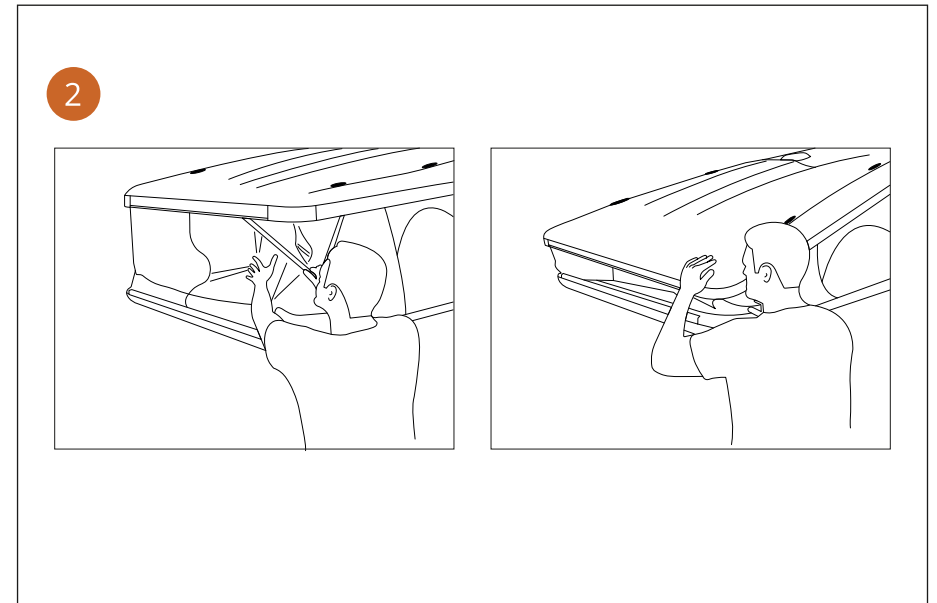
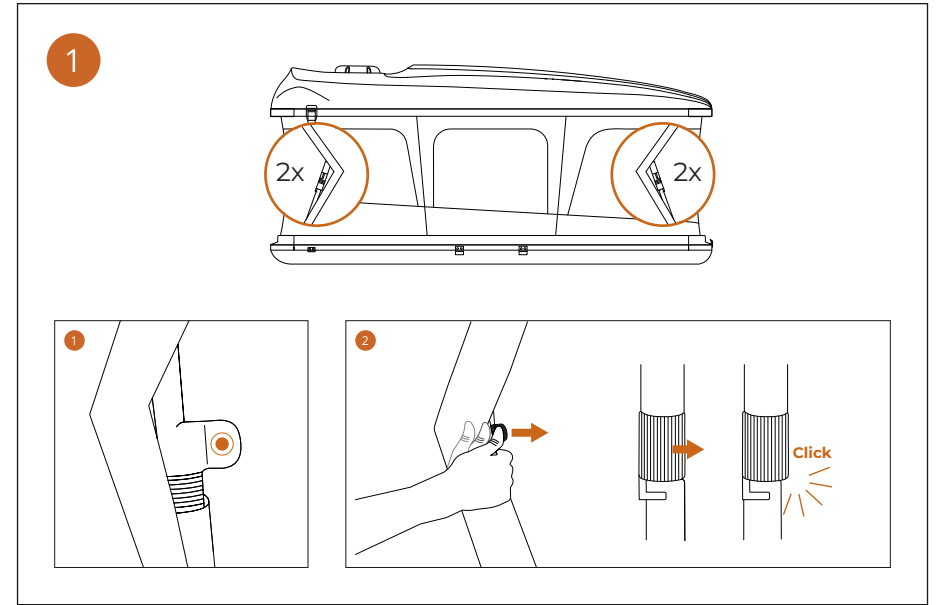
2

OPEN



3

CLOSE



4