

ACU-CabTM

ULTIMATE OVERLAND PRODUCTS

FITMENT INSTRUCTIONS

VW AMAROK CANOPY

Installation Instructions

Preliminary information

Installation and fitment instructions including tools required, fasteners included in kit, and the hardware included in kit.

Please following the instructions and check installation actions with the images in this document.



Service Enquiries email
queries@alu-cab.com

Installation Instructions

Canopy Fitment – Tools, Fasteners & Hardware

1.1

Tools & Items Required

Ratchet
T-40 Spline socket
13mm Socket
13mm Ring Flat Spanner

Item

Turpentine	
Cloth	
Black sealant, silicone or Sikaflex	
Window Cleaner	

Installation Instructions

Canopy Fitment – Tools, Fasteners & Hardware

1.2

Fasteners Supplied (included with Side Boxes)

M8x30mm Hex Bolts	8
M8x20mm Hex Bolts	12
M8x25mm Hex Bolts	4
M8x40mm Hex Bolts	2
M8 Flat Washer	20
M8 Split Washer	12
M8 Nylock Nuts	18
M8 Plastic Nut Caps	18

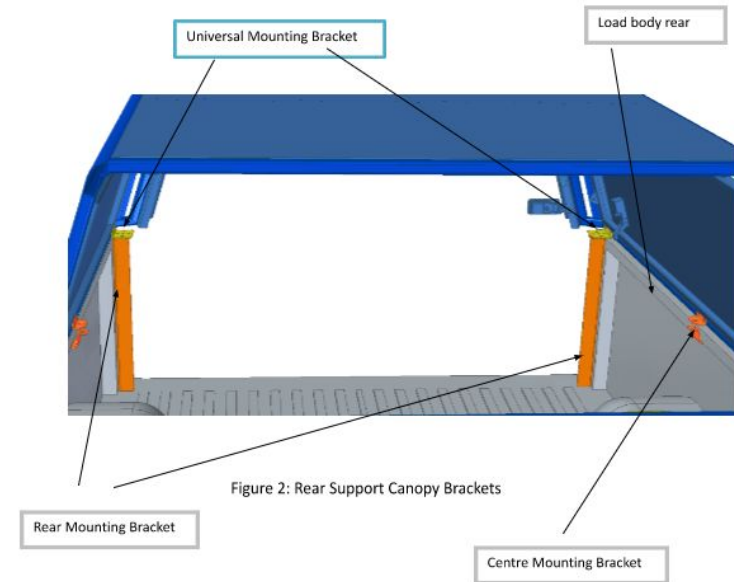
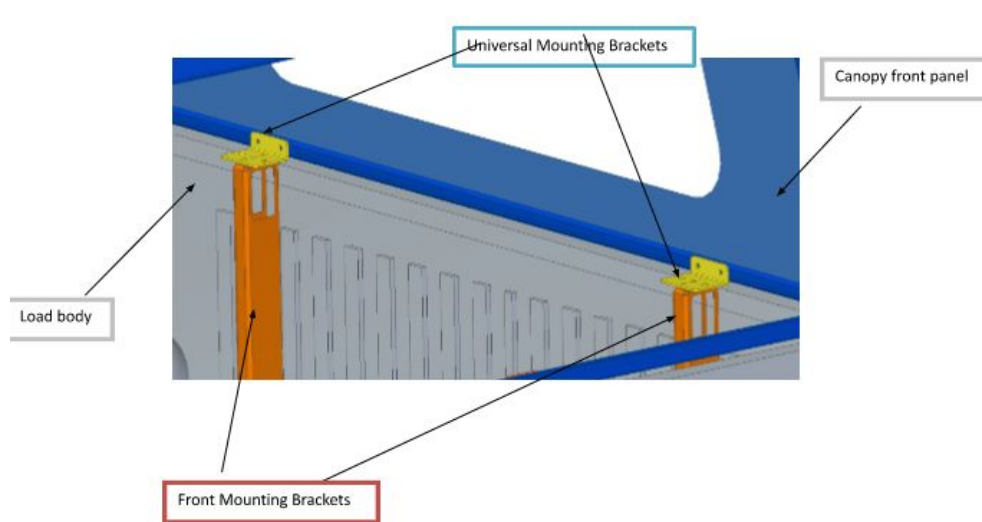
1.3

Hardware Required

Left Front Support Brackets	1
Right Front Support Bracket	1
Left Rear Support Bracket	1
Right Rear Support Bracket	1
Universal Bracket	4
Centre Mounting Bracket	2

Installation Instructions

2 **Front and Rear Canopy Support Brackets:**
In Figure 1 and Figure 2 below are the canopy support brackets for the VW Amarok.



Installation Instructions

2.1

Mounting the Support Brackets to the Load Bin:

a) Step 1 – Removing the Standard Hooks

Remove the standard hooks using a socket and ratchet.

Standard Hook Points



Figure 3: Standard Hook Points



Figure 4: Standard Hook

Installation Instructions

b) Step 2 – Bolting the Front and Rear Mounting Brackets to the Load Bin

Figures 5 to Figure 10 shows where and how the support brackets are fixed to the load bin. The top of the brackets must be flush with the load bin.

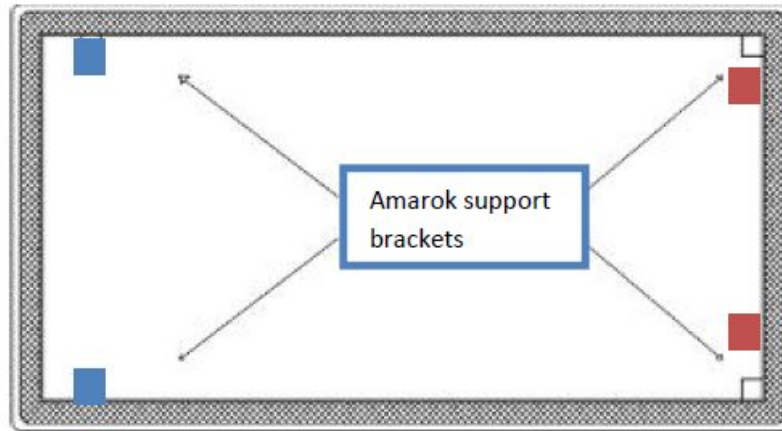


Figure 5: Top View of Load Bin

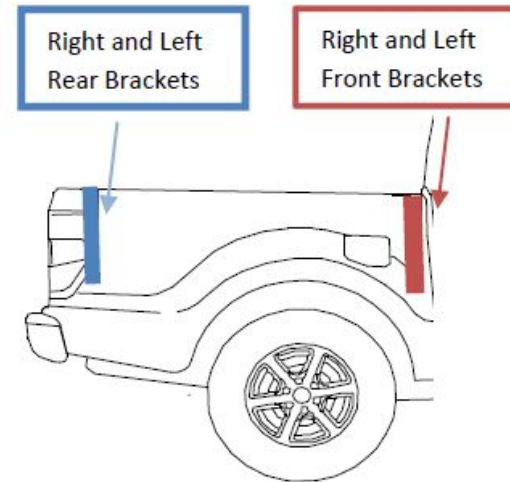


Figure 6: Side View of Load Bin

Installation Instructions

3

Centre Mounting Brackets:

In Figure 10 below is the assembly of the centre mounting bracket which consists of the canopy mounting bracket and the load bin mounting bracket.

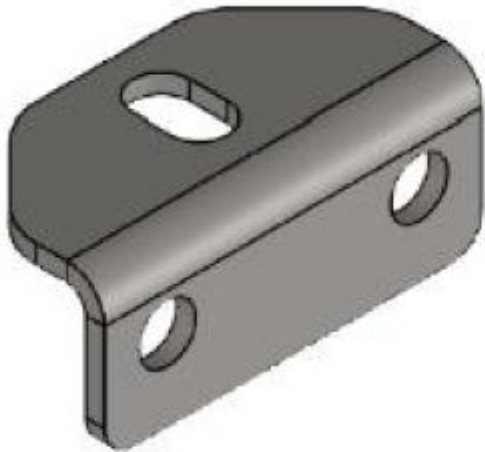


Figure 7: Canopy Mounting Bracket

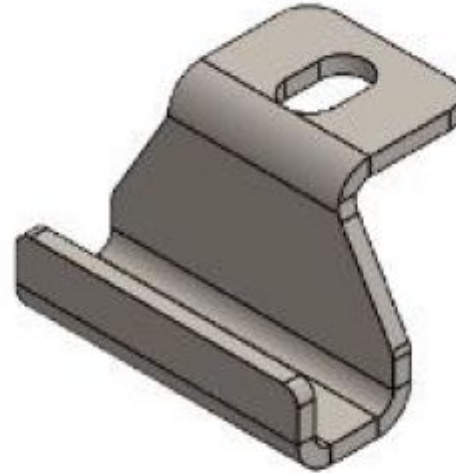


Figure 8: Load Bin Mounting Bracket

Installation Instructions

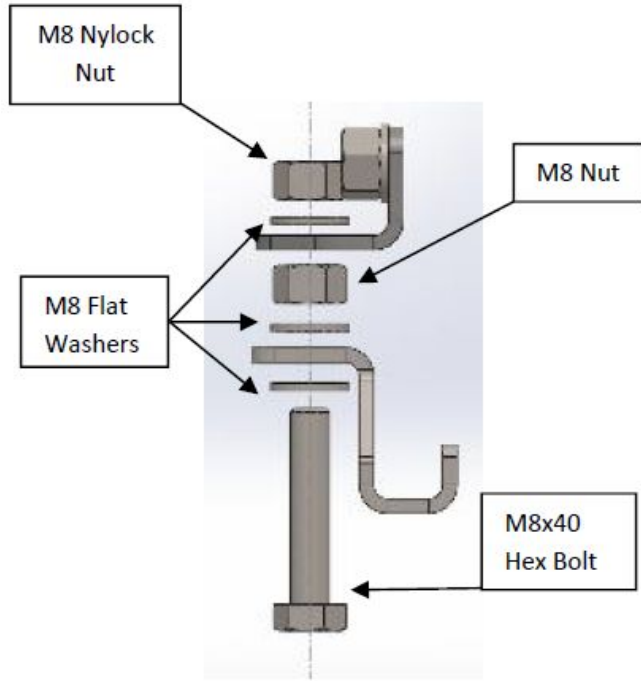


Figure 9: Centre Bracket Mounting Assembly

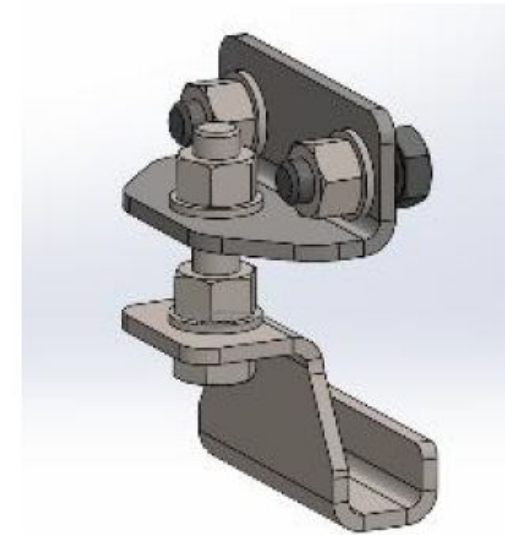


Figure 10: Centre Mounting Bracket Assembly

Installation Instructions

3.1

Mounting the Centre Mounting Bracket:

In Figure 11 below shows how the centre mounting bracket clamps onto the load bin.

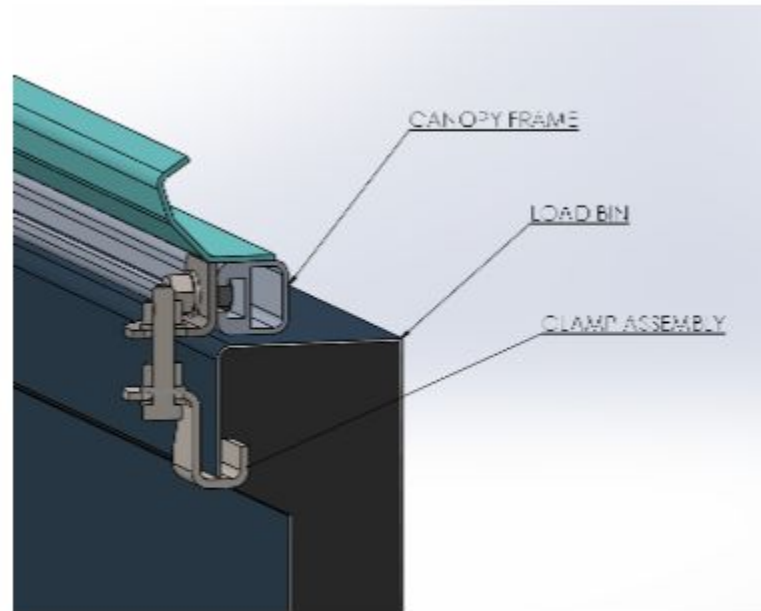


Figure 11: Section View of Clamping Method

Installation Instructions

4

Canopy Installation:

Before placing the canopy onto the load bin, check that the D-Rubber is intact on the canopy. If this is not done, the canopy and/or load bin could be damaged or can cause leaks into the canopy.

To position the canopy, ensure that it is flush with the load bin.

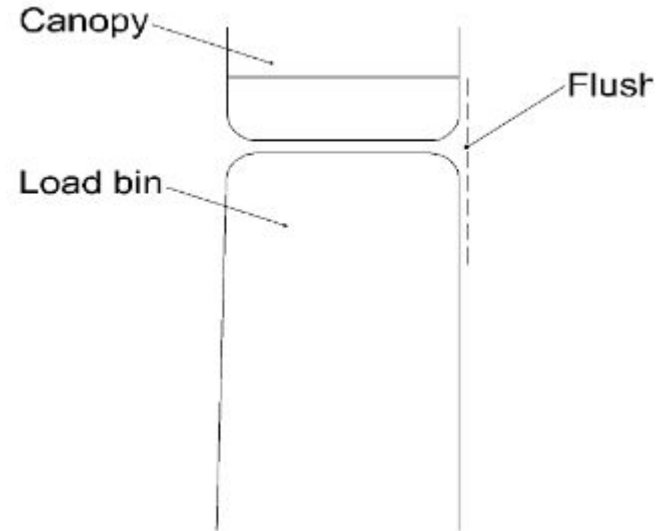


Figure 12: Canopy and Load Bin Alignment

Installation Instructions

4.1

Canopy Fitment to Load bin:

Open all the doors of the canopy and place onto the load bin.

- a) Step 1 – Bolting the Universal Bracket to the Support Bracket.

In Figure 13 and Figure 14 below shows how the universal bracket is mounted to the front and rear support brackets.

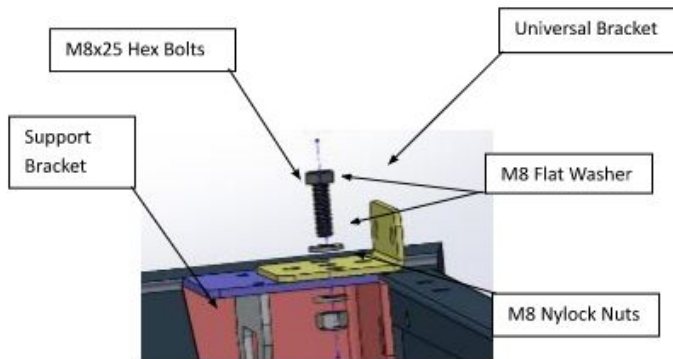


Figure 13: Universal-Front
Bracket Mounting Assembly

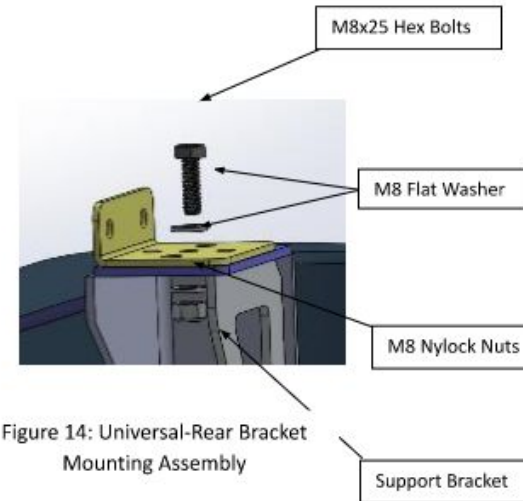


Figure 14: Universal-Rear Bracket
Mounting Assembly

Installation Instructions

b) Step 2 – Bolting the Universal Bracket to the Canopy

When the Universal bracket is bolted to the mounting brackets, it should then be mounted to the canopy. In Figure 15 and Figure 16 shows the fastener assembly.

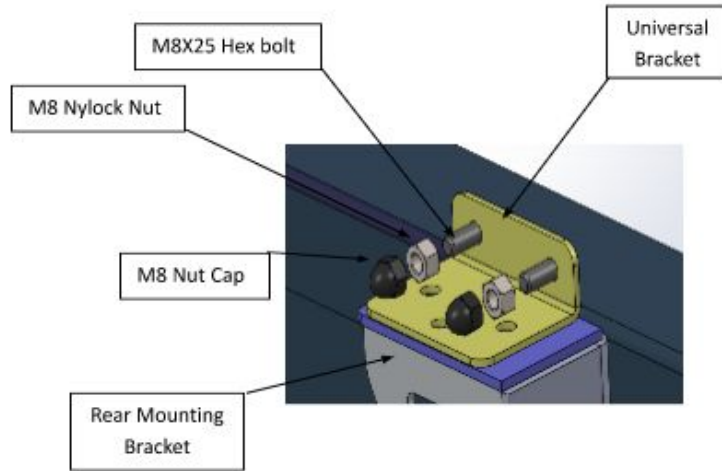


Figure 15: Rear Universal to Canopy Mounting assembly

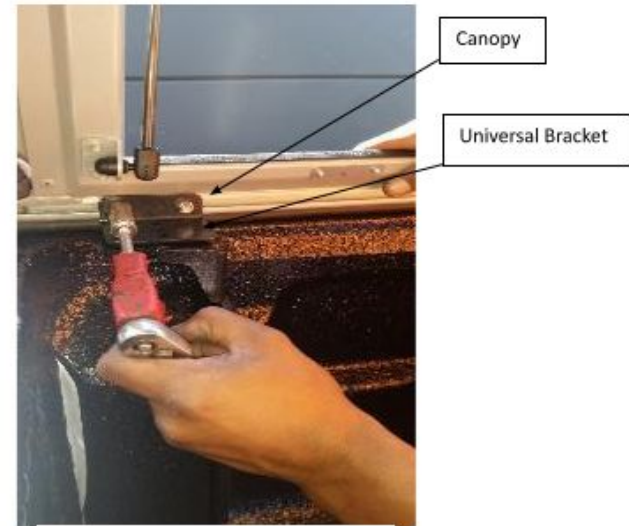


Figure 16: Tightening Universal bracket to Canopy

Installation Instructions

The canopy must rest solely on the mounting brackets and no load is allowed on the load bin. Once this is completed, the canopy has been installed successfully.

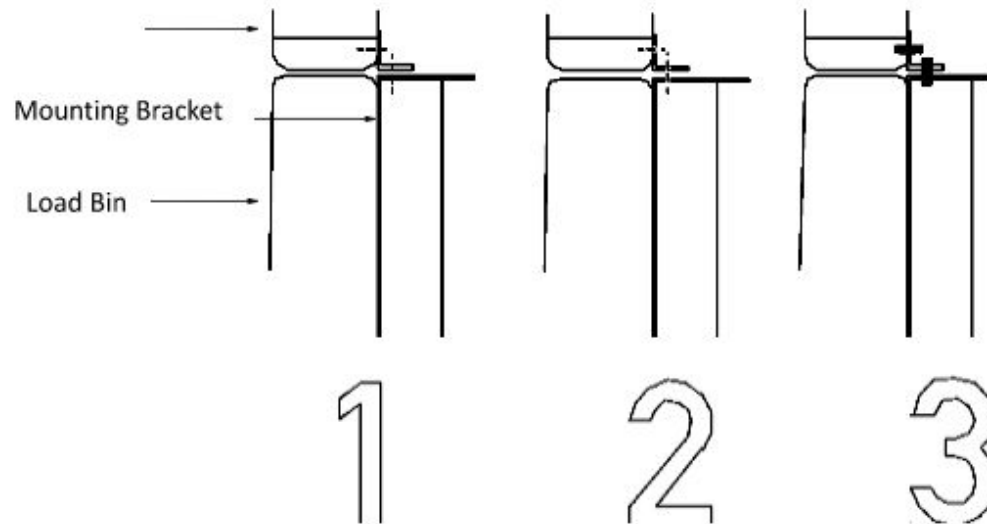


Figure 17: Overall Fitting Assembly

Disclaimer

All rights reserved. No part of this website may be reproduced, translated, stored in a retrieval system, or transmitted, in any form or by any means, electronic, mechanical, photocopying, recording or otherwise, without prior written permission of the owner.

Review all instructions information carefully before installation.

Any damages, direct or incidental to the installer and/or property due to incorrect installation of any parts are the responsibility of the installer. Due to the various applications and fitment options available, the responsibility lies with the user to ensure all mounting points are secure and tight before every trip.

If unsure, consult with your Distributor regarding the operations of our products.

Users are advised to be mindful of the load they are carrying and drive in accordance with road conditions.

WARNING

Always wear appropriate PPE (Personal protection equipment) when fitting our products. Although the mounting kit is designed to be DIY, if you have any doubts or concerns, contact an accredited fitment centre to carry out the work. Alu-Cab will not be liable for any injury to persons, and/or damage to products and/or vehicles.

While Alu-Cab Holdings takes reasonable measures to ensure that the contents of this Website are accurate and complete, Alu-Cab Holdings makes no representations or warranties, whether express or implied, as to the quality, timeliness, operation, integrity, availability or functionality of this Website or as to the accuracy, completeness or reliability of any information on this Website. Alu-Cab Holdings reserves the right to make changes, corrections and/or improvements to the information and to the products and programs described in such information, at any time without notice.

Alu-Cab Holdings will use reasonable endeavours to maintain the availability of the Website, except during scheduled maintenance periods, and reserves the right to discontinue providing the Website or the service or any part thereof with or without notice to you. Any person who accesses this Website or relies on this Website or on the information contained in this Website does so at his or her own risk.

Occasionally, at our discretion, we may include or offer third-party products or services on our website. These third-party sites have separate and independent privacy policies. We therefore have no responsibility or liability for the content and activities of these linked sites. Nonetheless, we seek to protect the integrity of our site and welcome any feedback about these sites.