



Fitment Instruction

Contour Canopy Kitchen Kit to Suit Contour Canopies, Explorer Canopies, and Adventure Canopies

(not suitable for Mitsubishi Triton, Chevy Colorado, Land Cruiser 79 DC, and Land Cruiser 79 SC)

Installation Instructions

Preliminary information

Installation and fitment instructions includes the tools required, fasteners included in the kit, and the hardware included in the kit.

Please follow the instructions and check installation steps with the images in this document.

Alu-Cab recommends that all sealing work is allowed to cure for 24 hours, after which you may drive the vehicle on normal paved roads. Before driving off-road with your Alu-Cab product or operating your roof conversion, an additional cure period of 48 hours is required.

Failure to follow these instructions will void your warranty. Please ensure that you follow the sealant manufacturers curing time as per their technical data sheet.

These times may differ slightly from the times we have recommended.



Service Enquiries email
queries@alu-cab.com

Installation Instructions

1.1 Tools & Items Required

| |
|--------------------------|
| 13mm Ring Spanner/Socket |
| Ratchet |

1.2 Fasteners Supplied

| | |
|-------------------------|----|
| TABLE MOUNTING BRACKET | 2 |
| M8x20 HEX BOLT S/S | 4 |
| NCAP-o8mm | 12 |
| M8 NYLOC NUT S/S | 8 |
| M8 OVERSIZED WASHER S/S | 12 |
| M8x25 HEX BOLT S/S | 4 |

Installation Instructions

Preliminary information

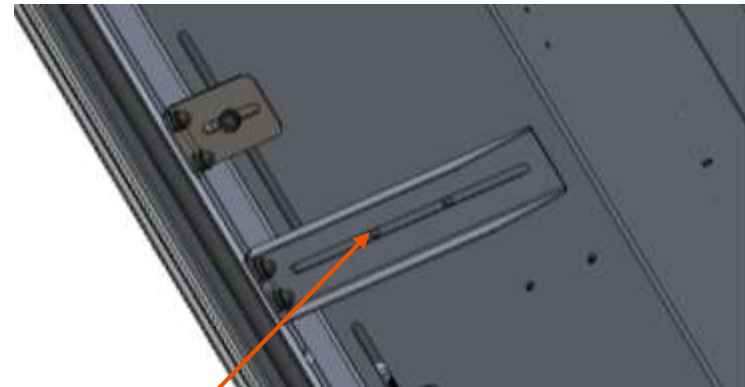
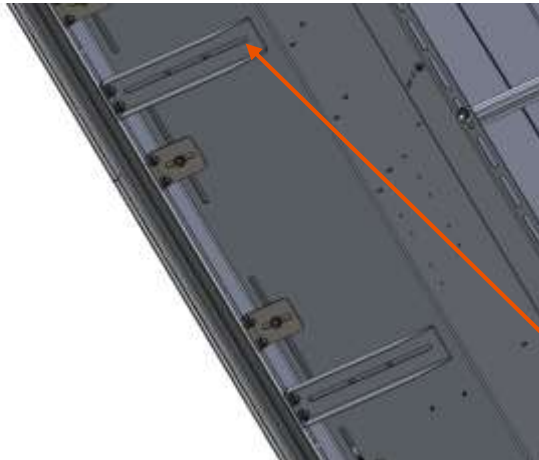
The first step for fitting the Contour Canopy Kitchen Kit is to install the assembled Kitchen Cupboard.

Installation instructions for the cupboards can be found [in this link](#).

Installation Instructions

Fitment to Canopies

1. With the cupboard installed it is necessary to start by removing the travel bolts from the Fold Out Table, these are the bolts that fasten the fold out table to the cupboard.
2. With the bolts removed; fit the table mounting brackets to the canopy frame, making sure the slots on the brackets line up with holes in the bottom face of the cupboard. Fasten the brackets down by sliding the M8x20 hex bolts into the canopy frame and fastening the brackets down using the supplied M8 oversized washer, M8 nylock nut and a M8 plastic nut cap.



Align holes in
cupboard to slots
in brackets

Installation Instructions

Fitment to Canopies

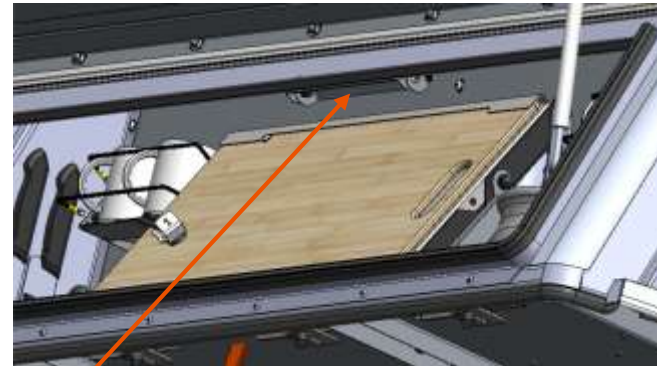
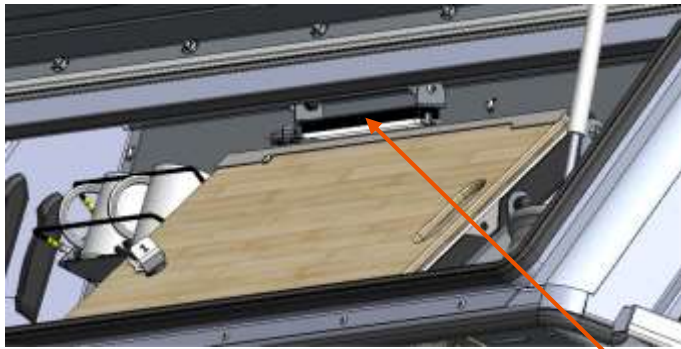
3. With the brackets securely in place, align the holes in the bottom face of the cupboard with the slots in the Contour Canopy Down Down Table's mount brackets. Use the supplied M8x25 hex bolts, oversized washers and nylock nut to partially fasten the Contour Canopy Drop Down Table down.



Installation Instructions

Fitment to Canopies

4. Test whether the table clears the light in the top of the canopy, fold the light up and test whether the table clears the load bin of the vehicle.
5. Move the table backwards or forwards if it does not clear either the load bin or the light, find the correct position where it misses both.
6. If there no interference on either the load bin or light then tighten the nuts down fully and your installation is complete. Congrats!



Fold light up

Table Usage Instruction

Step 1
Release Shock Cord
Tensioner



Step 2
Grab the pull indicator and
pull towards you



Step 3
Grab the top of the table and
pull towards you



Step 4
Pull the cutting board out

